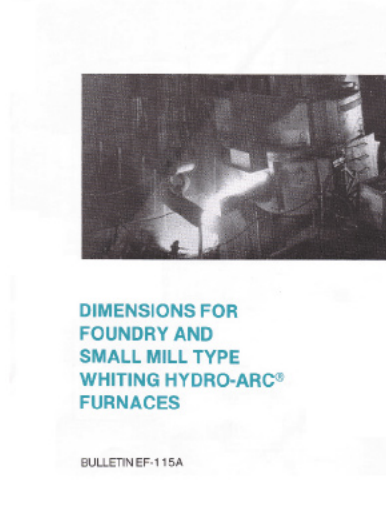
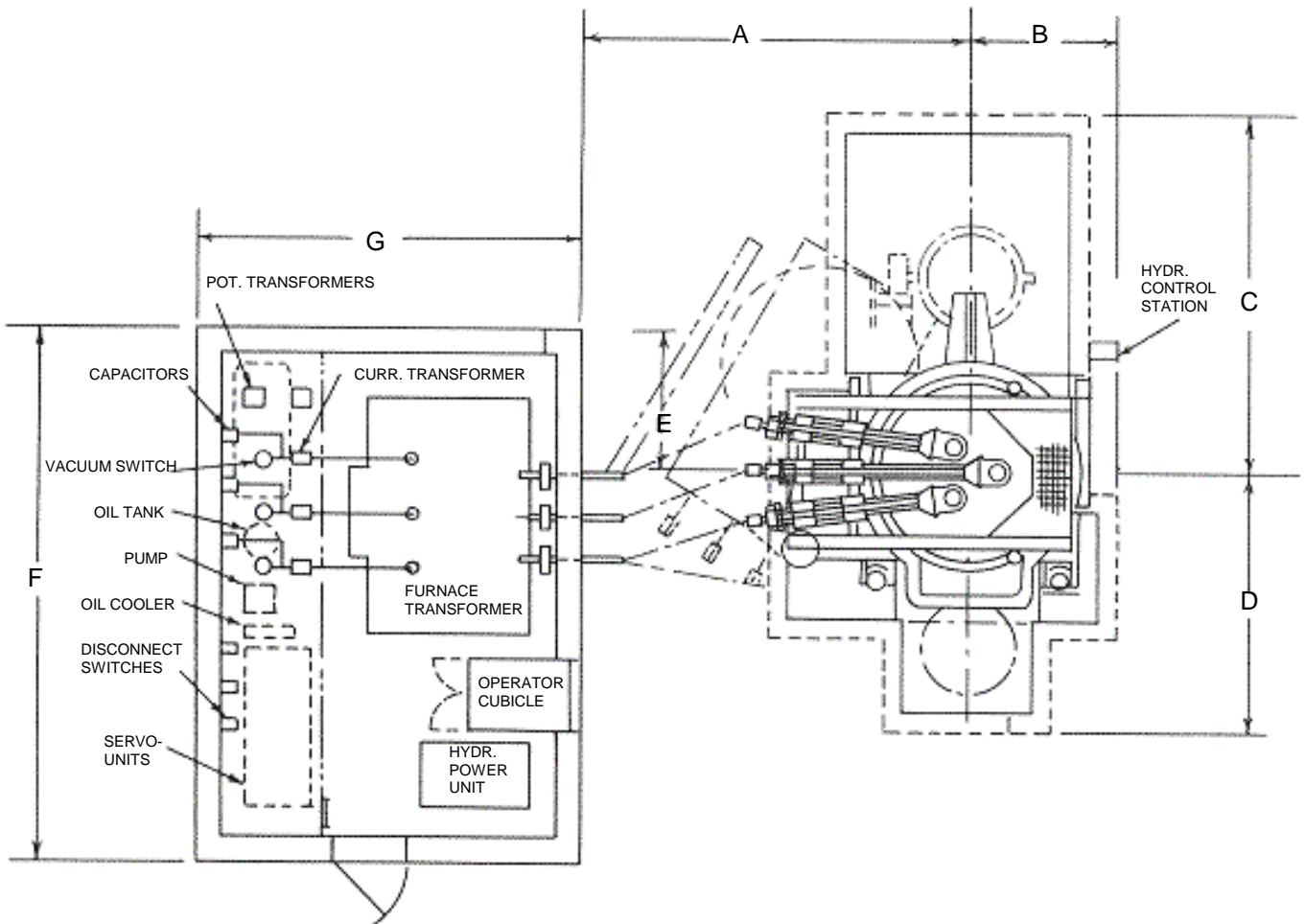
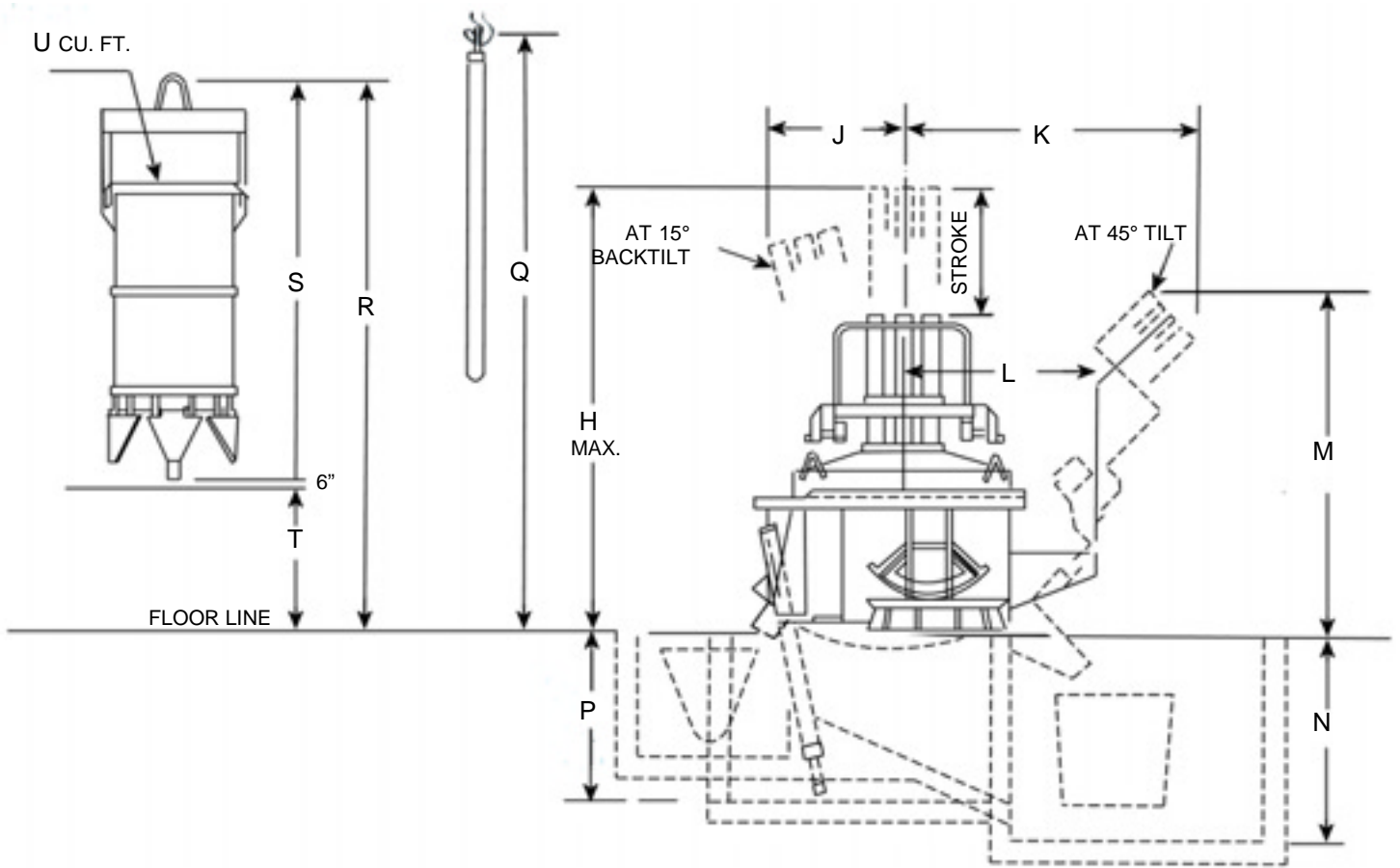




**Whiting Equipment Canada Inc.**  
Dimensions for Foundry and Small Mill Type  
Whiting Hydro-Arc Furnaces

---





# PRELIMINARY LAYOUT DIMENSIONS FOR HYDRO-ARC INSTALLATIONS

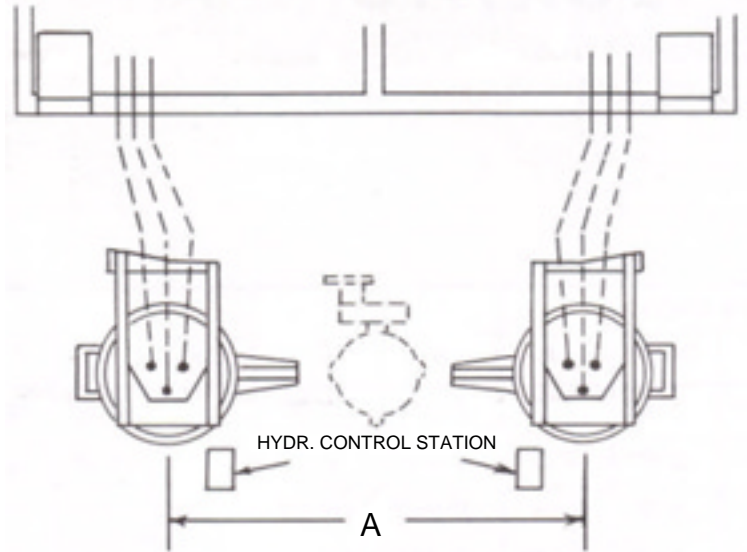
INSIDE SHELL		A	B	C	D	E	F	G	H	J	K
Dia.	Depth										
3'-4"	2'-6"	7'-3"	4'-5"	8'-2"	4'-1"	4'-3"	18'-0"	12'-0"	10'-8 <sup>7</sup> / <sub>8</sub> "	2'-1"	4'-10 <sup>1</sup> / <sub>4</sub> "
4'-0"	3'-0"	9'-3"	4'-9 <sup>1</sup> / <sub>2</sub> "	9'-7"	5'-6"	4'-3"	18'-0"	12'-4"	12'-8 <sup>1</sup> / <sub>4</sub> "	2'-5"	6'-3"
5'-0"	3'-9"	10'-8"	5'-8 <sup>3</sup> / <sub>4</sub> "	10'-10"	7'-2"	4'-3"	18'-0"	13'-10"	15'-3 <sup>3</sup> / <sub>4</sub> "	3'-6"	8'-6"
5'-8"	4'-4"	11'-0"	5'-11"	11'-6"	8'-0"	4'-3"	18'-6"	13'-10"	16'-2"	3'-8 <sup>3</sup> / <sub>8</sub> "	8'-11 <sup>1</sup> / <sub>8</sub> "
6'-0"	4'-6"	11'-9"	6'-1"	12'-3"	9'-0"	4'-3"	18'-6"	14'-0"	17'-5 <sup>1</sup> / <sub>4</sub> "	4'-2 <sup>2</sup> / <sub>3</sub> "	10'-0"
7'-3"	5'-6"	13'-6"	7'-3 <sup>1</sup> / <sub>2</sub> "	14'-0"	10'-0"	4'-6"	19'-0"	14'-6"	19'-4 <sup>5</sup> / <sub>8</sub> "	5'-1"	11'-2"
8'-0"	6'-0"	15'-6"	7'-10"	15'-0"	10'-9"	4'-6"	19'-0"	15'-0"	20'-7 <sup>1</sup> / <sub>2</sub> "	5'-1 <sup>1</sup> / <sub>2</sub> "	12'-5"
8'-9"	6'-7"	16'-0"	8'-3"	16'-2"	11'-9"	4'-9"	19'-0"	15'-6"	21'-5 <sup>3</sup> / <sub>4</sub> "	5'-4 <sup>1</sup> / <sub>4</sub> "	12'-8 <sup>1</sup> / <sub>2</sub> "
9'-0"	6'-9"	16'-2"	8'-5 <sup>1</sup> / <sub>2</sub> "	16'-9"	12'-0"	4'-9"	19'-6"	16'-0"	21'-9 <sup>1</sup> / <sub>2</sub> "	5'-6 <sup>1</sup> / <sub>2</sub> "	13'-2 <sup>1</sup> / <sub>4</sub> "
10'-0"	7'-6"	18'-0"	9'-3"	19'-4"	13'-0"	5'-0"	19'-6"	18'-0"	22'-11 <sup>3</sup> / <sub>4</sub> "	5'-10 <sup>1</sup> / <sub>2</sub> "	14'-1"
11'-0"	8'-3"	19'-0"	9'-8 <sup>3</sup> / <sub>4</sub> "	20'-8"	14'-0"	5'-0"	20'-0"	18'-0"	24'-9 <sup>1</sup> / <sub>8</sub> "	6'-5"	14'-11 <sup>1</sup> / <sub>2</sub> "
12'-6"	9'-4"	22'-7"	11'-9"	22'-10"	15'-6"	5'-6"	22'-0"	20'-0"	27'-6"	7'-5 <sup>1</sup> / <sub>2</sub> "	17'-6"
13'-4"	10'-0"	23'-0"	12'-2"	23'-10"	16'-6"	5'-6"	22'-0"	20'-0"	28'-10"	8'-2"	18'-6 <sup>1</sup> / <sub>2</sub> "

INSIDE SHELL		L	M	N	P	Q	R	S	T	U	CU. FT.
Dia.	Depth										CU. FT.
3'-4"	2'-6"	3'-8"	7'-9"	2'-3"	2'-3"	12'-2"	11'-6 <sup>1</sup> / <sub>4</sub> "	6'-10"	4'-2 <sup>1</sup> / <sub>4</sub> "	8	
4'-0"	3'-0"	4'-5"	9'-3"	3'-0"	3'-0"	14'-2 <sup>1</sup> / <sub>4</sub> "	13'-10"	8'-10 <sup>3</sup> / <sub>4</sub> "	4'-5 <sup>1</sup> / <sub>4</sub> "	15	
5'-0"	3'-9"	5'-3"	10'-11"	4'-0"	4'-0"	17'-4"	15'-1 <sup>3</sup> / <sub>4</sub> "	10'-0"	4'-7 <sup>3</sup> / <sub>4</sub> "	27	
5'-8"	4'-4"	5'-6"	11'-5 <sup>5</sup> / <sub>8</sub> "	5'-3"	4'-6"	18'-6"	15'-6 <sup>3</sup> / <sub>4</sub> "	10'-2 <sup>3</sup> / <sub>4</sub> "	4'-10"	42	
6'-0"	4'-6"	6'-0"	12'-5"	5'-6"	4'-9"	19'-9"	17'-1 <sup>3</sup> / <sub>4</sub> "	11'-8 <sup>3</sup> / <sub>4</sub> "	4'-11"	51	
7'-3"	5'-6"	6'-7"	14'-0"	6'-6"	5'-2"	21'-10 <sup>1</sup> / <sub>2</sub> "	21'-10 <sup>5</sup> / <sub>8</sub> "	16'-3 <sup>1</sup> / <sub>2</sub> "	5'-7 <sup>1</sup> / <sub>8</sub> "	102	
8'-0"	6'-0"	7'-4"	14'-8"	8'-0"	6'-6"	21'-4 <sup>3</sup> / <sub>4</sub> "	21'-4 <sup>3</sup> / <sub>4</sub> "	15'-8"	5'-8 <sup>3</sup> / <sub>4</sub> "	142	
8'-9"	6'-7"	8'-2"	15'-6 <sup>1</sup> / <sub>4</sub> "	8'-0"	7'-9"	22'-1 <sup>1</sup> / <sub>2</sub> "	22'-1 <sup>1</sup> / <sub>2</sub> "	15'-7 <sup>1</sup> / <sub>2</sub> "	6'-0"	168	
9'-0"	6'-9"	8'-2"	15'-7 <sup>1</sup> / <sub>2</sub> "	8'-6"	8'-0"	23'-3 <sup>1</sup> / <sub>2</sub> "	23'-3 <sup>1</sup> / <sub>2</sub> "	16'-7 <sup>1</sup> / <sub>2</sub> "	6'-2"	190	
10'-0"	7'-6"	8'-9"	16'-2 <sup>1</sup> / <sub>2</sub> "	10'-0"	8'-6"	24'-0 <sup>5</sup> / <sub>8</sub> "	24'-0 <sup>5</sup> / <sub>8</sub> "	17'-1 <sup>1</sup> / <sub>2</sub> "	6'-5 <sup>1</sup> / <sub>8</sub> "	280	
11'-0"	8'-3"	9'-4"	17'-5"	11'-0"	8'-8"	24'-9 <sup>1</sup> / <sub>4</sub> "	24'-9 <sup>1</sup> / <sub>4</sub> "	17'-3 <sup>3</sup> / <sub>4</sub> "	6'-11 <sup>1</sup> / <sub>2</sub> "	390	
*12'-6"	9'-4"	11'-6"	19'-1"	14'-3"	10'-0"	23'-3"	23'-3"	14'-10"	7'-11"	610	
*13'-4"	10'-0"	12'-6"	20'-2"	15'-4"	10'-0"	26'-1 <sup>3</sup> / <sub>4</sub> "	26'-1 <sup>3</sup> / <sub>4</sub> "	17'-5 <sup>1</sup> / <sub>2</sub> "	8'-2 <sup>1</sup> / <sub>4</sub> "	760	

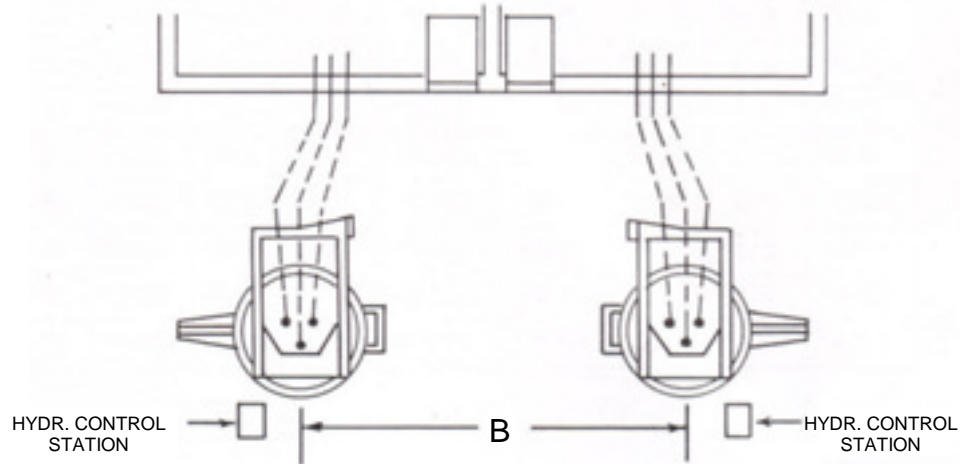
\* Asterisk indicates charge with clam shell bucket.

# Multiple Hydro-Arc Furnace Arrangements

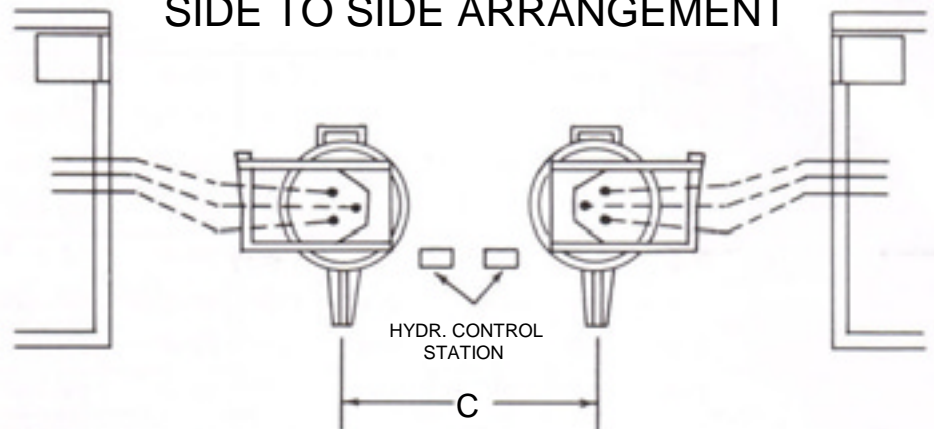
## SPOUT TO SPOUT ARRANGEMENT



## DOOR TO DOOR ARRANGEMENT



## SIDE TO SIDE ARRANGEMENT



INSIDE SHELL		A	B	C
Dia.	Depth			
3'-4"	2'-6"	11'-10"	10'-0"	8'-10"
4'-0"	3'-0"	14'-0"	11'-8"	9'-8"
5'-0"	3'-9"	16'-0"	15'-3"	11'-6"
5'-8"	4'-4"	17'-0"	16'-5"	11'-10"
6'-0"	4'-6"	18'-3"	17'-7"	12'-2"
7'-3"	5'-6"	20'-6"	21'-0"	14'-8"
8'-0"	6'-0"	22'-4"	22'-9"	15'-8"
8'-9"	6'-7"	24'-4"	24'-8"	16'-6"
9'-0"	6'-9"	25'-2"	25'-2"	17'-0"
10'-0"	7'-6"	28'-6"	27'-0"	18'-6"
11'-0"	8'-3"	30'-8"	32'-6"	19'-6"
12'-6"	9'-4"	34'-4"	36'-8"	23'-6"
13'-4"	10'-0"	36'-2"	38'-3"	24'-4"

**Whiting Equipment Canada Inc.**



[www.whiting.ca](http://www.whiting.ca)

**John Bartok**

350 Alexander Street  
 Welland, Ontario, Canada L3B 2R3  
 Tel.: (+1) 905-732-7585 ext. 273  
 Fax: (+1) 905-732-2366  
 E-mail: [jbartok@whiting.ca](mailto:jbartok@whiting.ca)